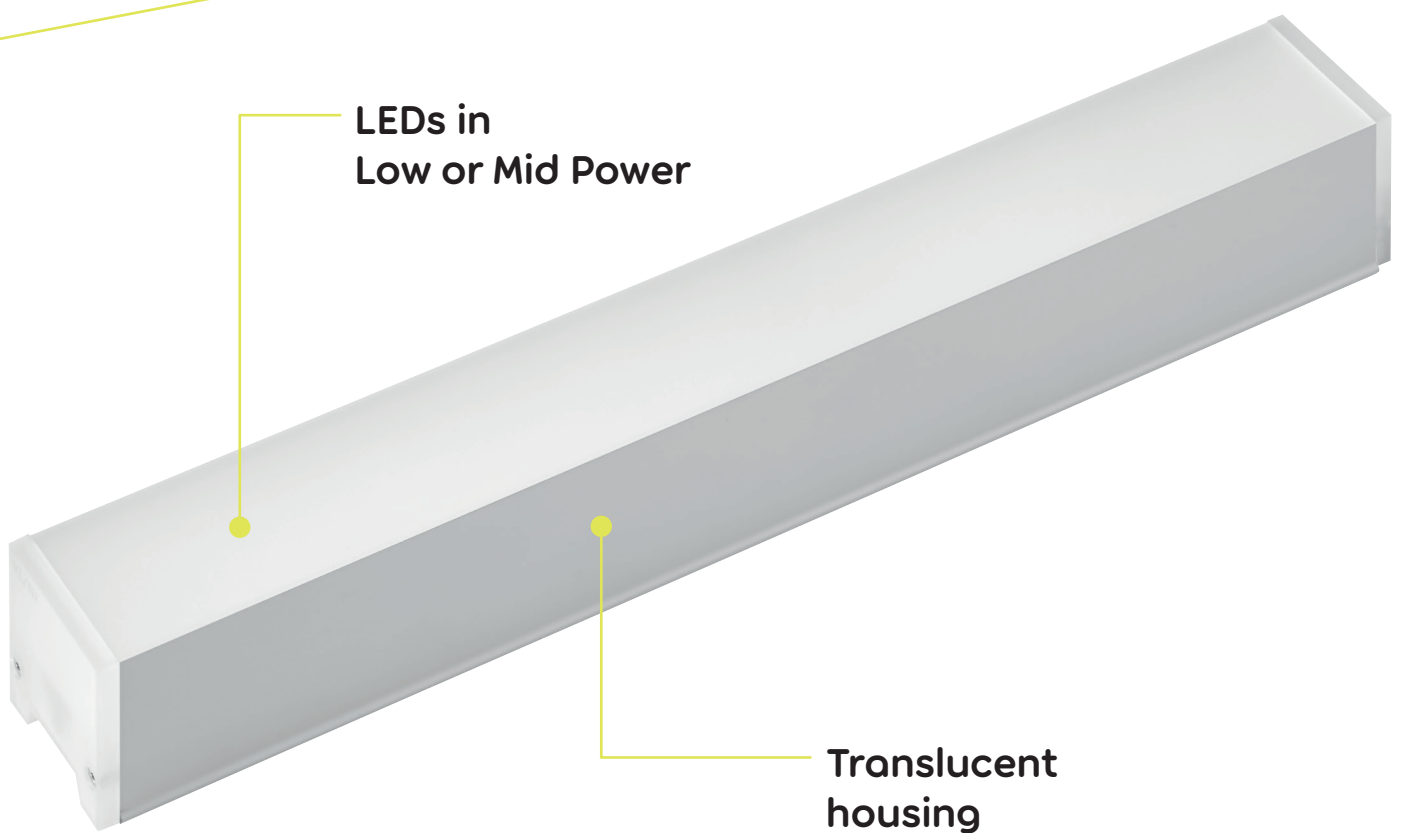


Low & Mid Power Linear light inserts

Perfect uniformity

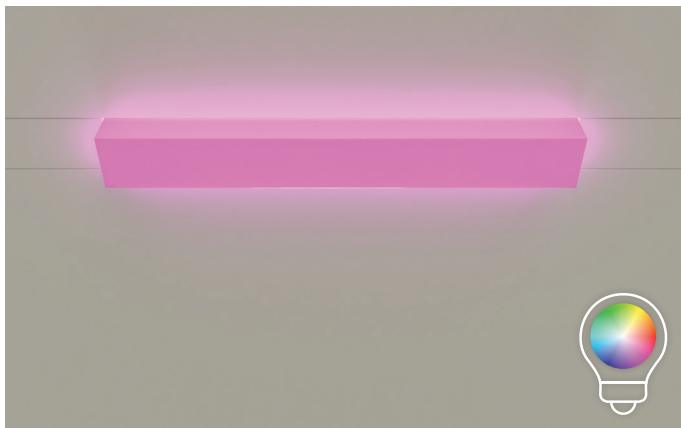


The linear modules are supplied up to a length of approximately 2.30 m, in total the portfolio contains over 150 available modules. This allows for a consistent and self-contained design.

The Mid Power Linear version is the more powerful component of the Linear light inserts. It fulfills the highest requirements for quality general lighting.

Control with DALI or DMX

The Tunable White light inserts can be activated using the operating devices with DALI. This makes it possible to control different lighting groups in a line arrangement. Light inserts with RGBW technology are DMX-compatible and can be activated individually with a resolution of up to 16 cm, for example for light guidance systems in buildings or as effective mood lighting.



Besides the defined colours of blue and green, the Low Power Linear light insert supports dynamic control with RGBW.



Tunable White Mid Power modules provide line-shaped general or accent lighting. The modules achieve a luminous flux of up to 1500 lm/m.



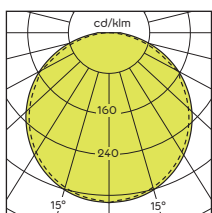
Light colour 2700 K



Light colour 4000 K

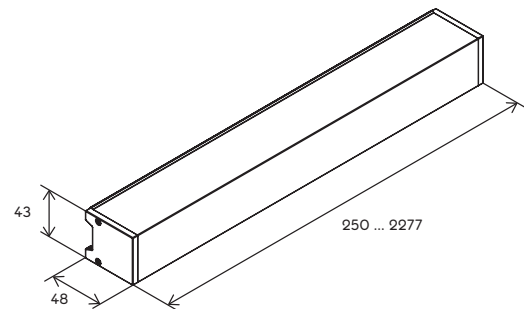
Radiation angle

With a radiation angle of 120°, the linear light inserts ensure optimum illumination.



Radiation angle 120°

Low Power Linear light insert



Colour temperatures

The lengths shown here only represent a section of the product portfolio.

Use the NoLimit Configurator to discover the entire range of light inserts (see page 26).

Radiation angle	Overall size (mm)			typ. light colour (K)	typ. Ø Luminous flux	CRI	P (W)	n _v (lm/W)	Dimmable/ Interface	Housing colour	LI	Article number
	L	W	H									
	330	43	48	2700	136 lm	Typ. 90	2.2	62	Yes/*	Satined	5	il 4033_LL927X_WSX_0330
	979	43	48	2700	409 lm	Typ. 90	6.6	62	Yes/*	Satined	13	il 4033_LL927X_WSX_0979
	1628	43	48	2700	681 lm	Typ. 90	11	62	Yes/*	Satined	21	il 4033_LL927X_WSX_1628
	2277	43	48	2700	953 lm	Typ. 90	15.4	62	Yes/*	Satined	29	il 4033_LL927X_WSX_2277
	330	43	48	3000	136 lm	Typ. 90	2.2	62	Yes/*	Satined	5	il 4033_LL930X_WSX_0330
	979	43	48	3000	409 lm	Typ. 90	6.6	62	Yes/*	Satined	13	il 4033_LL930X_WSX_0979
	1628	43	48	3000	681 lm	Typ. 90	11	62	Yes/*	Satined	21	il 4033_LL930X_WSX_1628
	2277	43	48	3000	953 lm	Typ. 90	15.4	62	Yes/*	Satined	29	il 4033_LL930X_WSX_2277
	330	43	48	4000	136 lm	Typ. 90	2.2	62	Yes/*	Satined	5	il 4033_LL940X_WSX_0330
	979	43	48	4000	409 lm	Typ. 90	6.6	62	Yes/*	Satined	13	il 4033_LL940X_WSX_0979
	1628	43	48	4000	681 lm	Typ. 90	11	62	Yes/*	Satined	21	il 4033_LL940X_WSX_1628
	2277	43	48	4000	953 lm	Typ. 90	15.4	62	Yes/*	Satined	29	il 4033_LL940X_WSX_2277

* depending on the selected operating device

Colour designs

Radiation angle	Overall size (mm)			typ. light colour (K)	typ. Ø Luminous flux	CRI	P (W)	n _v (lm/W)	Dimmable/ Interface	Housing colour	LI	Article number
	L	W	H									
	330	43	48	Blue	12 lm	-	2.2	5	Yes/*	Satined	5	il 4033_LLBUXX_WSX_0330
	979	43	48	Blue	36 lm	-	6.6	5	Yes/*	Satined	13	il 4033_LLBUXX_WSX_0979
	1628	43	48	Blue	60 lm	-	11	5	Yes/*	Satined	21	il 4033_LLBUXX_WSX_1628
	2277	43	48	Blue	84 lm	-	15.4	5	Yes/*	Satined	29	il 4033_LLBUXX_WSX_2277
	330	43	48	Green	1600 lm	-	2.2	18	Yes/*	Satined	5	il 4033_LLGXNX_WSX_0330
	979	43	48	Green	1550 lm	-	6.6	18	Yes/*	Satined	13	il 4033_LLGXNX_WSX_0979
	1628	43	48	Green	1800 lm	-	11	18	Yes/*	Satined	21	il 4033_LLGXNX_WSX_1628
	2277	43	48	Green	1750 lm	-	15.4	18	Yes/*	Satined	29	il 4033_LLGXNX_WSX_2277

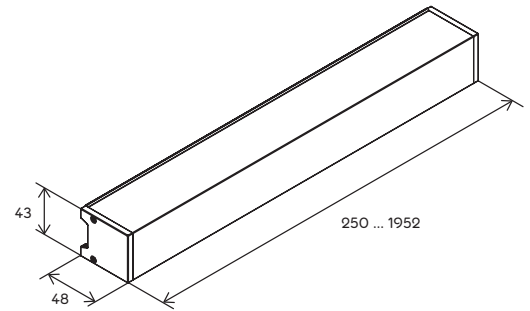
* depending on the selected operating device

Dynamic control with RGBW

Radiation angle	Overall size (mm)			typ. light colour (K)	typ. Ø Luminous flux	CRI	P (W)	n _v (lm/W)	Dimmable/ Interface	Housing colour	LI	Article number
	L	W	H									
	330	43	48	RGBW	111 lm	-	4.9	23	Yes/LEDTRIX	Satined	10	il 4033_LLRGBW_WSX_0330_LX
	979	43	48	RGBW	333 lm	-	14.7	23	Yes/LEDTRIX	Satined	28	il 4033_LLRGBW_WSX_0979_LX
	1628	43	48	RGBW	555 lm	-	24.5	23	Yes/LEDTRIX	Satined	46	il 4033_LLRGBW_WSX_1628_LX
	2277	43	48	RGBW	777 lm	-	34.3	23	Yes/LEDTRIX	Satined	64	il 4033_LLRGBW_WSX_2277_LX



Mid Power Linear light insert



Colour temperatures

The lengths shown here only represent a section of the product portfolio.
Use the NoLimit Configurator to discover the entire range of light inserts (see page 26).

Radiation angle	Overall size (mm)			typ. light colour (K)	typ. Ø Luminous flux	CRI	P (W)	n _v (lm/W)	Dimmable/Interface	Housing colour	LI	Article number
	L	W	H									
	250	43	48	2700	370 lm	> 90	5.7	65	Yes/*	Satined	11	il4033_ML927X_WSX_0250
	493	43	48	2700	730 lm	> 90	11.4	64	Yes/*	Satined	22	il4033_ML927X_WSX_0493
	736	43	48	2700	1090 lm	> 90	17.2	77	Yes/*	Satined	33	il4033_ML927X_WSX_0736
	979	43	48	2700	1450 lm	> 90	22.9	63	Yes/*	Satined	43	il4033_ML927X_WSX_0979
	1223	43	48	2700	1811 lm	> 90	28.6	63	Yes/*	Satined	54	il4033_ML927X_WSX_1223
	1466	43	48	2700	2171 lm	> 90	34.3	63	Yes/*	Satined	65	il4033_ML927X_WSX_1466
	1709	43	48	2700	2531 lm	> 90	40	63	Yes/*	Satined	76	il4033_ML927X_WSX_1709
	1952	43	48	2700	2891 lm	> 90	45.8	63	Yes/*	Satined	86	il4033_ML927X_WSX_1952
	250	43	48	3000	403 lm	> 90	5.7	71	Yes/*	Satined	11	il4033_ML930X_WSX_0250
	493	43	48	3000	796 lm	> 90	11.4	70	Yes/*	Satined	22	il4033_ML930X_WSX_0493
	736	43	48	3000	1188 lm	> 90	17.2	69	Yes/*	Satined	33	il4033_ML930X_WSX_0736
	979	43	48	3000	1580 lm	> 90	22.9	69	Yes/*	Satined	43	il4033_ML930X_WSX_0979
	1223	43	48	3000	1974 lm	> 90	28.6	69	Yes/*	Satined	54	il4033_ML930X_WSX_1223
	1466	43	48	3000	2366 lm	> 90	34.3	69	Yes/*	Satined	65	il4033_ML930X_WSX_1466
	1709	43	48	3000	2758 lm	> 90	40	69	Yes/*	Satined	76	il4033_ML930X_WSX_1709
	1952	43	48	3000	3150 lm	> 90	45.8	69	Yes/*	Satined	86	il4033_ML930X_WSX_1952
	250	43	48	4000	447 lm	> 90	5.7	78	Yes/*	Satined	11	il4033_ML940X_WSX_0250
	493	43	48	4000	881 lm	> 90	11.4	77	Yes/*	Satined	22	il4033_ML940X_WSX_0493
	736	43	48	4000	1316 lm	> 90	17.2	77	Yes/*	Satined	33	il4033_ML940X_WSX_0736
	979	43	48	4000	1750 lm	> 90	22.9	76	Yes/*	Satined	43	il4033_ML940X_WSX_0979
	1223	43	48	4000	2186 lm	> 90	28.6	76	Yes/*	Satined	54	il4033_ML940X_WSX_1223
	1466	43	48	4000	2621 lm	> 90	34.3	76	Yes/*	Satined	65	il4033_ML940X_WSX_1466
	1709	43	48	4000	3055 lm	> 90	40	76	Yes/*	Satined	76	il4033_ML940X_WSX_1709
	1952	43	48	4000	3489 lm	> 90	45.8	76	Yes/*	Satined	86	il4033_ML940X_WSX_1952

* depending on the selected operating device

Variably adjustable colour temperature with Tunable White

Radiation angle	Overall size (mm)			typ. light colour (K)	typ. Ø Luminous flux	CRI	P (W)	n _v (lm/W)	Dimmable/Interface	Housing colour	LI	Article number
	L	W	H									
	250	43	48	2700-5000	434 lm	> 90	6.1	71	Yes/*	Satined	12	il4033_ML2750_WSX_0250
	493	43	48	2700-5000	856 lm	> 90	12.2	70	Yes/*	Satined	23	il4033_ML2750_WSX_0493
	736	43	48	2700-5000	1278 lm	> 90	18.3	70	Yes/*	Satined	34	il4033_ML2750_WSX_0736
	979	43	48	2700-5000	1700 lm	> 90	24.4	70	Yes/*	Satined	46	il4033_ML2750_WSX_0979
	1223	43	48	2700-5000	2124 lm	> 90	30.5	70	Yes/*	Satined	57	il4033_ML2750_WSX_1223
	1466	43	48	2700-5000	2546 lm	> 90	36.6	70	Yes/*	Satined	68	il4033_ML2750_WSX_1466
	1709	43	48	2700-5000	2968 lm	> 90	42.7	70	Yes/*	Satined	80	il4033_ML2750_WSX_1709
	1952	43	48	2700-5000	3390 lm	> 90	48.8	69	Yes/*	Satined	91	il4033_ML2750_WSX_1952

* depending on the selected operating device

