

Light insert High Power Spotlight

Art.-no.: il 4033 HS3...



The spotlight modules, which are available in three power classes, can be infinitely rotated and swivelled as well as freely positioned in all profiles of the instalight NoLimit system.

With up to six light outlets, high luminance levels can be achieved in accent lighting.

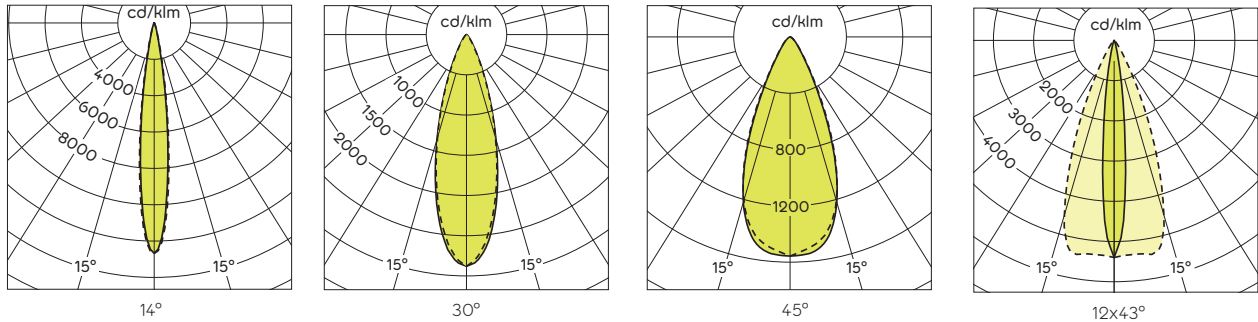
The precision optics create a high quality of light.

Product features

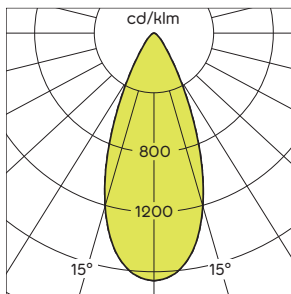
- › Spotlight, which can be infinitely rotated and swivelled to all sides
- › Ideal for lighting situations that require frequent adaptations
- › Homogeneous light mixture within one single optic with Tunable White
- › Precise light projection for all light colours
- › Free placement and positioning inside of the NoLimit system profile
- › Three different optics (spot, medium and oval), three different light colours as well as a Tunable White version provide a very wide range of design possibilities.
- › The engagement position, which can be selected in three stages for all modules, allows further adaptation to the ceiling level and the chosen lighting strategy



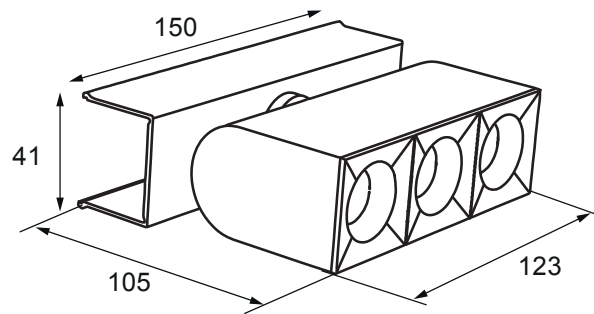
Technical details



Dimensions (mm)				Beam charact.	typ. light colour (K)	typ. Φ_v (rated) (lm)	R_a (typ.)	P (W)	Nv (lm/W)	Article number	
L	W	H	EB								
123	41	105	150		2700	810	85	8	101	IL4033_HS827X_B14_0123_CC_XX01	
					2700						835
					3000						
123	41	105	150		3000	925	85	8	116	IL4033_HS830X_B14_0123_CC_XX01	
					3000						955
123	41	105	150		4000	925	85	8	116	IL4033_HS840X_B14_0123_CC_XX01	
					4000						955
123	41	105	150		2700	780	85	8	98	IL4033_HS827X_B30_0123_CC_XX01	
					2700						800
					3000						
123	41	105	150		3000	875	85	8	109	IL4033_HS830X_B30_0123_CC_XX01	
					3000						900
123	41	105	150		4000	875	85	8	109	IL4033_HS840X_B30_0123_CC_XX01	
					4000						900
123	41	105	150		2700	735	85	8	92	IL4033_HS827X_B45_0123_CC_XX01	
					2700						760
					3000						
123	41	105	150		3000	830	85	8	104	IL4033_HS830X_B45_0123_CC_XX01	
					3000						855
123	41	105	150		4000	830	85	8	104	IL4033_HS840X_B45_0123_CC_XX01	
					4000						855
123	41	105	150		2700	770	85	8	96	IL4033_HS827X_B5C_0123_CC_XX01	
					2700						800
					3000						
123	41	105	150		3000	885	85	8	107	IL4033_HS830X_B5C_0123_CC_XX01	
					3000						880
123	41	105	150		4000	885	85	8	107	IL4033_HS840X_B5C_0123_CC_XX01	
					4000						880
123	41	105	150		2700-5000	660 (2700 K)	> 90	8.5	88	IL4033_HS2750_B43_0123_CC_XX01	
											750 (5000 K)
						700 (2700 K)					
						790 (5000 K)					



43° TW



Dimensioned drawing [mm]

Technical data

Nominal current	900 mA
Power index (LI)	16
Interface	1 x DALI
Degree of protection	IP20
Protection class	III
Ambient temperature	+5 ... +45 °C
Connection mode	Molex, 4-pole
Efficiency class	A+/A++
Lifespan (L80/B10)	60.000 h (@25 °C)
Housing material	Aluminium and plastic
Weight	approx. 0.6 kg

Accessories

	Article designation	Article number
	Cable bracket set	il 4033 ZM K 001
	Profile cover RAL 9016	il 4033 BA WH
	Profile cover RAL 9011	il 4033 BA BL
	Light insert, one-colour	
	Extension cable 4p 0.5 m	il 4033 VL 4P M 5
	Extension cable 4p 1 m	il 4033 VL 4P M 10
	Extension cable 4p 2 m	il 4033 VL 4P M 20
	Short circuit plug 4p	il 4033 HSS
	Light insert Tunable White	
	Extension cable 4p 0.5m dt8	il 4033 VL Q4P M 5
	Extension cable 4p 1m dt8	il 4033 VL Q4P M 10
	Extension cable 4p 2m dt8	il 4033 VL Q4P M 20
	Short circuit plug dt8	il 4033 Q4P HSS